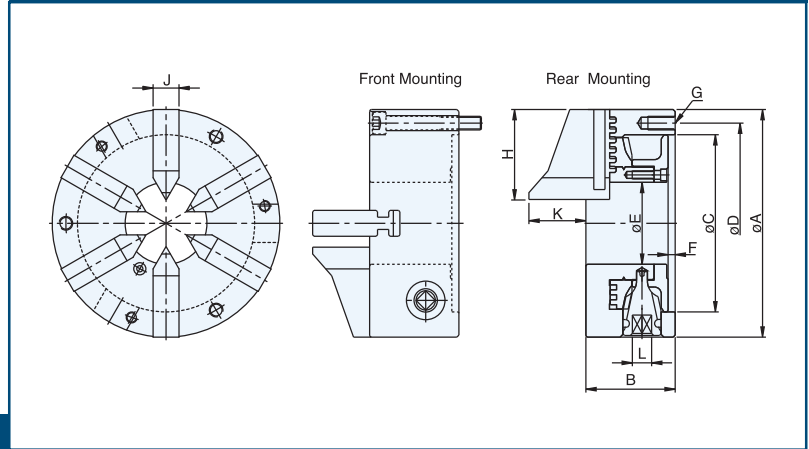


6-JAW AWL TYPE CHUCKS



■ DIMENSIONS



■ SPECIFICATIONS

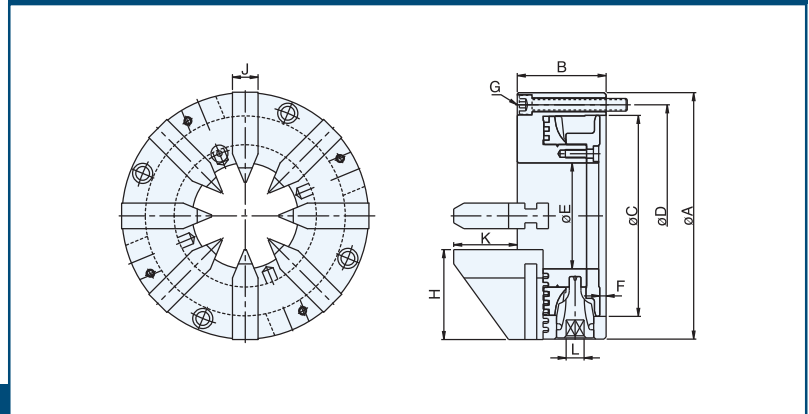
UNIT:mm

MODEL / SPEC.	A	B	C	D	E	F	G	H	J	K	L	Max.Speed r.p.m.(min ⁻¹)	Max. Gripping Diameter		Weight (kg)
													O.D.Clamping		
AS-04	112	58	80	95	32	4.5	3-M8x1.25P	45	14	46	8	1200	ø2-ø32		3.8
AS-06	167	65	130	147	60	5.0	3-M10x1.5P	66	19	43	10	1200	ø3-ø60		8.2

8-JAW AWL TYPE CHUCKS



■ DIMENSIONS



■ SPECIFICATIONS

UNIT:mm

MODEL / SPEC.	A	B	C	D	E	F	G	H	J	K	L	Max.Speed r.p.m.(min ⁻¹)	Max. Gripping Diameter		Weight (kg)
													O.D.Clamping		
AE-09	233	84	190	210	100	5.5	4-M12x1.75P	85	24	60	12	1000	ø7-ø100		21