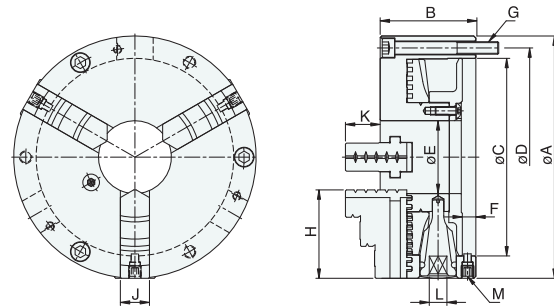


《 Steel Body Chucks series 》

3-JAW ADJUSTMENT STEEL BODY SCROLL CHUCKS



■ DIMENSIONS



■ SPECIFICATIONS

UNIT:mm

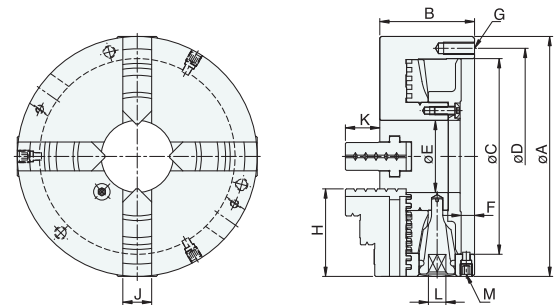
MODEL / SPEC.	A	B	C	D	E	F	G	H	J	K	L	M	Max.Speed r.p.m.(min ⁻¹)	Max. Gripping Diameter		Weight (kg)
														O.D.Clamping	I.D.Clamping	
CT-06	167	75.5	130	147	45	12	3-M10x1.5P	65	22	28	10	3-M12x1.75P	4000	ø4~ø160	ø48~ø150	10.4
CT-07	193	85	155	172	58	12	3-M10x1.5P	75	24	28.5	11	3-M12x1.75P	3500	ø4~ø180	ø56~ø170	12.9
CT-09	233	92	190	210	70	12.5	3-M12x1.75P	85	28	33	12	3-M12x1.75P	2900	ø5~ø220	ø62~ø210	20.4
CT-10	275	98	230	250	89	12.5	3-M12x1.75P	98	30	38	12	3-M12x1.75P	2500	ø6~ø260	ø70~ø250	29.3
CT-12	310	111	260	285	105	14	3-M12x1.75P	110	32	45	14	3-M12x1.75P	2200	ø10~ø300	ø86~ø290	43.7

《 Steel Body Chucks series 》

4-JAW ADJUSTMENT STEEL BODY SCROLL CHUCKS



■ DIMENSIONS



■ SPECIFICATIONS

UNIT:mm

MODEL / SPEC.	A	B	C	D	E	F	G	H	J	K	L	M	Max.Speed r.p.m.(min ⁻¹)	Max. Gripping Diameter		Weight (kg)
														O.D.Clamping	I.D.Clamping	
FCT-07	193	85	155	172	58	12	3-M10x1.5P	75	24	28.5	11	3-M12x1.75P	3500	ø4~ø180	ø56~ø170	13.2
FCT-09	233	92	190	210	70	12.5	3-M12x1.75P	85	28	33	12	3-M12x1.75P	2900	ø5~ø220	ø62~ø210	20.7
FCT-10	275	98	230	250	89	12.5	3-M12x1.75P	98	30	38	12	3-M12x1.75P	2500	ø6~ø260	ø70~ø250	29.8
FCT-12	310	111	260	285	105	14	3-M12x1.75P	110	32	45	14	3-M12x1.75P	2200	ø10~ø300	ø86~ø290	44.4