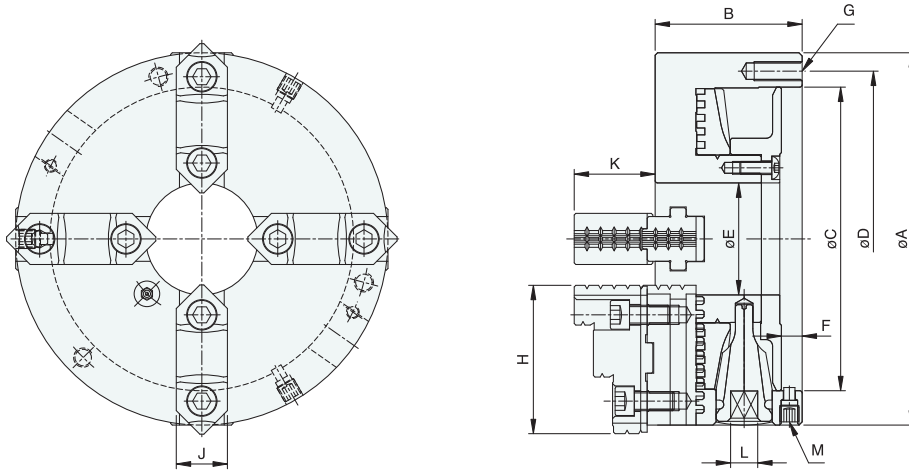




## 4-JAW POWERFUL TYPE ADJUSTMENT STEEL BODY CHUCKS

### ■ DIMENSIONS



### ■ SPECIFICATIONS

UNIT:mm

MODEL / SPEC.	A	B	C	D	E	F	G	H	J
FKT-07	193	85	155	172	58	12	3-M10x1.5P	82	28
FKT-09	233	92	190	210	70	12.5	3-M12x1.75P	93	32
FKT-10	275	98	230	250	89	12.5	3-M12x1.75P	102	35
FKT-12	310	111	260	285	105	14	3-M12x1.75P	118	40

MODEL / SPEC.	K	L	M	Max.Speed r.p.m.(min <sup>-1</sup> )	Max. Gripping Diameter		Weight (kg)
					O.D. Clamping	I.D. Clamping	
FKT-07	43	11	3-M12x1.75P	3500	ø8~ø180	ø62~ø170	14.1
FKT-09	51	12	3-M12x1.75P	2900	ø11~ø220	ø70~ø210	22
FKT-10	54	12	3-M12x1.75P	2500	ø12~ø260	ø80~ø250	33.5
FKT-12	58	14	3-M12x1.75P	2200	ø15~ø300	ø90~ø290	46.1