



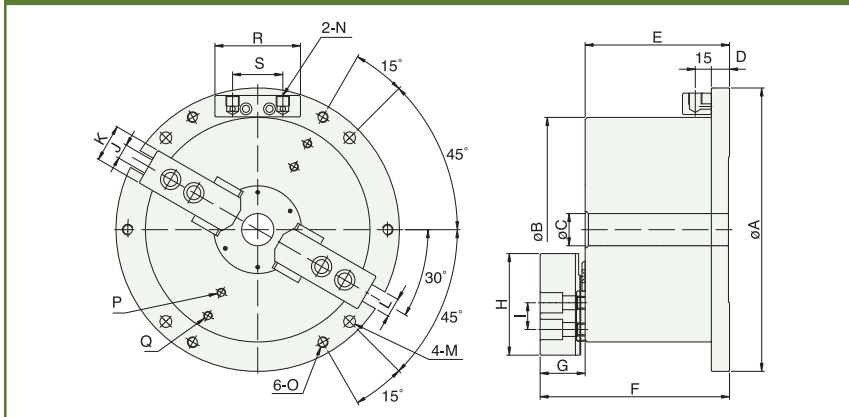
MOT

《 Pneumatic Chucks series 》

2-JAW HOLLOW POWER CHUCK FIXTURES

NEW

■ DIMENSIONS



■ SPECIFICATIONS

UNIT:mm

MODEL / SPEC.	A	B	C	D	E	F	G	H	I	J	K	L	M
MOT-04	155	115	--	15	77.5	103.5	26	49.5	14	10	23	13	ø9 (PCD ø135)
MOT-05	185	135	--	15	95	128	33	62	14	10	25	13	ø9 (PCD ø165)
MOT-06	224	169	25	16	118	158	40	73	20	12	31	18	ø11 (PCD ø202)
MOT-08	265	210	30	20	138	180	42	95	25	14	35	18	ø11 (PCD ø243)
MOT-10	315	254	52	23	150	196	46	110	30	16	40	18	ø13 (PCD ø285)

MODEL / SPEC.	N	O	P	Q
MOT-04	PT1/8	M8x1.25P	--	--
MOT-05	PT1/4	M8x1.25P	2-M8x1.25P(PCDø100)	--
MOT-06	PT1/4	M10x1.5P	2-M8x1.25P(PCDø134)	--
MOT-08	PT1/4	M10x1.5P	2-M10x1.5P(PCDø136)	2-M10x1.5P(PCDø186)
MOT-10	PT1/4	M12x1.75P	2-M12x1.75P(PCDø170)	2-M12x1.75P(PCDø230)

MODEL / SPEC.	R	S	Piston Area (cm ²)	Plunger Stroke (mm)	Jaw Stroke (Diameter) (mm)	Max.Gripping Force (KN)
MOT-04	64	47	57	9	3.8	1900 (18.6)
MOT-05	80	47	74	10	5.4	2620 (25.6)
MOT-06	80	47	97	12	5.5	4030 (39.5)
MOT-08	80	47	156	16	7.4	6480 (63.5)
MOT-10	80	47	235	19	8.8	9760 (95.6)

MODEL / SPEC.	Max. Hydr. Pressure (kgf/cm ² (Mpa))	Gripping Force At Air Pressure 7 kgf/cm ² (0.7Mpa) (kgf)	Weight (kg)	Gripping Range
MOT-04	12 (1.2)	1100 (10.8)		ø9~ø115
MOT-05	16 (1.6)	1300 (12.7)	11.2	ø12~ø135
MOT-06	16 (1.6)	2000 (19.6)	21.0	ø15~ø169
MOT-08	16 (1.6)	3300 (32.3)	36.8	ø20~ø210
MOT-10	16 (1.6)	4800 (47.0)	56.4	ø33~ø254

With built-in type cylinder, it is ideal for

1. Rust-proof for Pneumatic Cylinder

Inside wall of cylinder being rustproof treated; cylinder can work under wet or high moisture circumstances without rusty and seized trouble.

2. Dusts-proof and Waterproof

Dust-proof and Waterproof structure prevents work-chips and coolant water to enter into inside of chucks. Thus longer life is consequential. High efficiency and less working pressure can be achieved by less trouble, and consistency of quality.

3. Available for Quick Fixture Change

MO Chucks can be easily fixed on a plate fixture for quick changes.

Examples Of Attaching Pneumatic Manual / Optional Accessories



Split type hand control valve