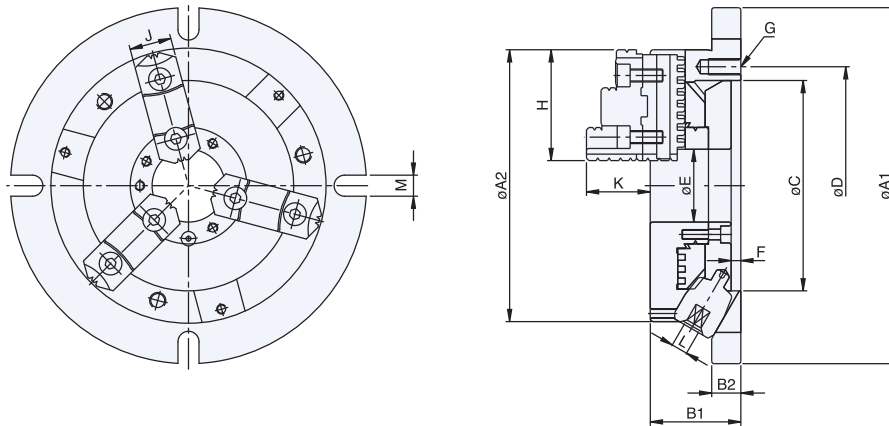


POWERFUL TYPE SUPER THIN CHUCKS



■ DIMENSIONS



SUPER THIN CHUCKS

1. The handle with an angle of 30 degrees is much convenient for operations.
2. The "super thin thickness" design of chucks increase the "allowable distance" of machining operations.
3. Chuck flange makes loading and unloading operations simpler and more convenient.
4. Hard jaws and Soft jaws can be used alternatively.

■ SPECIFICATIONS

UNIT:mm

MODEL / SPEC.	A1	A2	B1	B2	C	D	E	F	G	H
NBK-06	220	170	58	18	130	147	45	6	3-M10x1.5P	68
NBK-08	270	210	65	20	155	172	60	6	3-M10x1.5P	82
NBK-10	315	255	73	20	190	210	80	6	3-M12x1.75P	93
NBK-12	370	305	80	22	250	285	105	5	3-M12x1.75P	118

MODEL / SPEC.	J	K	L	M	Max.Gripping Diameter		Weight (kg)
					O.D.Clamping (mm)	I.D.Clamping (mm)	
NBK-06	26	40	10	13	ø8~ø160	ø48~ø150	10.6
NBK-08	28	43	11	13	ø11~ø200	ø62~ø190	18.1
NBK-10	32	52	12	16	ø12~ø250	ø72~ø240	27.9
NBK-12	40	59	14	18	ø15~ø300	ø86~ø290	42.9