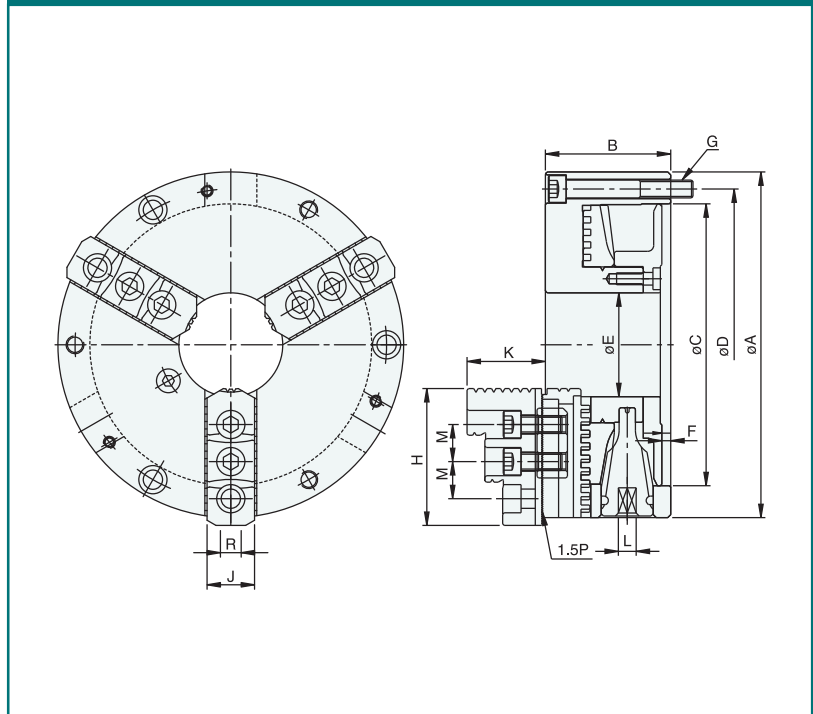


3-JAW STEEL BODY CHUCKS



- 4. Chuck Body is made of steel to enhance safety operations for high speed machining.
- 5. The Chuck Handle can be operated easily and smoothly.

■ DIMENSIONS



■ SPECIFICATIONS

UNIT:mm

| MODEL / SPEC. | A | B | C | D | E | F | G | H | J | K | L |
|---------------|-----|-----|-----|-----|-----|-----|-------------|-------|----|----|----|
| NT-07 | 193 | 78 | 155 | 172 | 58 | 5 | 3-M10x1.5P | 78 | 28 | 46 | 11 |
| NT-09 | 233 | 85 | 190 | 210 | 70 | 5.5 | 3-M12x1.75P | 92 | 32 | 52 | 12 |
| NT-10 | 273 | 91 | 230 | 250 | 89 | 5.5 | 3-M12x1.75P | 101.5 | 37 | 56 | 12 |
| NT-12 | 310 | 104 | 260 | 285 | 105 | 7 | 3-M12x1.75P | 116 | 47 | 67 | 14 |

| MODEL / SPEC. | M | R | Max. Speed r.p.m.(min ⁻¹) | Max.Gripping Diameter | | Weight (kg) |
|---------------|----|----|--|-----------------------|--------------|----------------|
| | | | | O.D.Clamping | I.D.Clamping | |
| NT-07 | 20 | 12 | 3200 | ø8~ø235 | ø66~ø235 | 13.1 |
| NT-09 | 25 | 14 | 2800 | ø11~ø280 | ø85~ø280 | 21.2 |
| NT-10 | 30 | 16 | 2400 | ø12~ø330 | ø92~ø330 | 30.5 |
| NT-12 | 30 | 21 | 2100 | ø15~ø370 | ø104~ø370 | 46.1 |



2 Top jaws can be adjusted back and forth easily, thus increasing gripping range.



4 Soft jaws are interchangeable with those of power chucks.



Optional accessory:
Mounting plate.