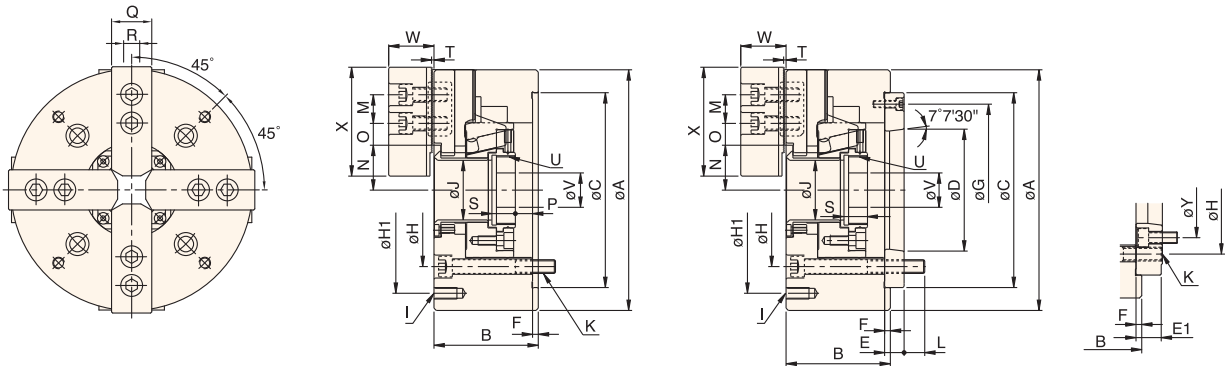


## 4-JAW HIGH SPEED HOLLOW POWER CHUCKS



### ■ DIMENSIONS



### ■ SPECIFICATIONS

UNIT:mm

MODEL / SPEC.	Nose Of Spindle	A	B	C (h6)	D	E	E1	F	G	H	H1	I	J	K	L
OPF-206	A <sub>2</sub> -5	169	81	140	82.563	15	--	5	116	104.8	PCD $\phi$ 145	4-M10x1.5P	45	6-M10x1.5P	16
OPF-208	A <sub>2</sub> -6(A <sub>2</sub> -5)	210	91	170	106.375	17	23	5	150	133.4	PCD $\phi$ 180	4-M10x1.5P	52	6-M12x1.75P	18
OPF-210	A <sub>2</sub> -8(A <sub>2</sub> -6)	254	100	220	139.719	18	28	5	190	171.4	PCD $\phi$ 225	4-M12x1.75P	75	6-M16x2P	19
OPF-212	A <sub>2</sub> -8	304	110	220	139.719	18	--	6	190	171.4	PCD $\phi$ 250	4-M12x1.75P	91	6-M16x2P	25
OPF-215	A <sub>2</sub> -11(A <sub>2</sub> -8)	381	133	300	196.869	22	33	6	260	235	PCD $\phi$ 324	4-M12x1.75P	117.5	6-M20x2.5P	28

MODEL / SPEC.	M	N max.	N min.	O max.	O min.	P max.	P min.	Q	R	S	T	U	V	W	X	Y	Thru-Hole [Diameter] (mm)	Plunger Stroke (mm)
OPF-206	20	32.35	29.6	24	7	11	-1	31	12	19	2	M55x2P	20	37	73	--	45	12
OPF-208	25	39.1	35.4	30	10	14.5	-1.5	35	14	20.5	2	M60x2P	30	39	95	104.8	52	16
OPF-210	30	51.5	47.1	34	12	8.5	-10.5	40	16	25	2	M85x2P	40	43	110	133.4	75	19
OPF-212	30	61.6	56.3	46	12	8	-15	50	21	28	2	M100x2P	50	51	129	--	91	23
OPF-215	43	82.3	77	46	13	7	-15	62	22	42.5	5	M130x2P	48	66	165	171.4	117.5	23

MODEL / SPEC.	Jaw Stroke [Diameter] (mm)	Max.Speed r.p.m.(min <sup>-1</sup> )	Max. Pull Force kgf (KN)	Max. Gripping Force kgf (KN)	Max. Hydr. Pressure kgf/cm <sup>2</sup> (Mpa)	Weight (kg)	Matching Cylinder	Gripping Range
OPF-206	5.5	4500	1630 (16)	4180 (41)	21 (2.1)	14.2	P1246	$\phi$ 22~ $\phi$ 169
OPF-208	7.4	3600	2440 (24)	6010 (59)	19 (1.9)	24.5	P1552	$\phi$ 25~ $\phi$ 210
OPF-210	8.8	3200	3160 (31)	8050 (79)	20 (2.0)	38.1	P1875	$\phi$ 28~ $\phi$ 254
OPF-212	10.6	2500	4080 (40)	10400 (102)	20 (2.0)	60.5	P2091	$\phi$ 35~ $\phi$ 304
OPF-215	10.6	1800	5400 (53)	13600 (134)	19 (1.9)	111.5	P2511	$\phi$ 63~ $\phi$ 381