

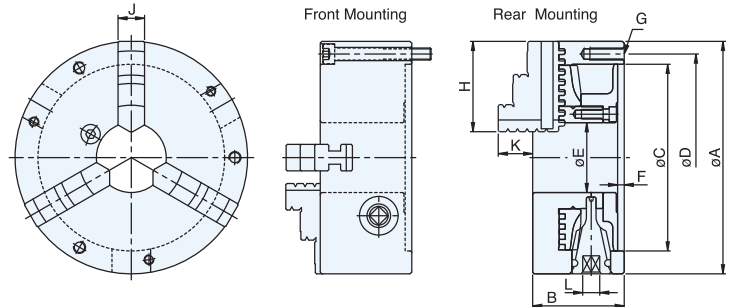
# SC

《 Scroll Chucks series 》

## 3-JAW SCROLL CHUCKS



### ■ DIMENSIONS



### ■ SPECIFICATIONS

UNIT:mm

MODEL / SPEC.	A	B	C	D	E	F	G	H	J	K	L	Max.Speed r.p.m.(min <sup>-1</sup> )	Max. Gripping Diameter		Weight (kg)
													O.D.Clamping	I.D.Clamping	
SC-03	85	45	60	73	16	3.5	3-M6x1P	35	11	15	7	2500	ø2-ø70	ø24-ø64	1.5
SC-04	112	58	80	95	24	4.5	3-M8x1.25P	42	14	17	8	2500	ø3-ø90	ø32-ø84	3.3
SC-05	132	60	100	115	32	4.5	3-M8x1.25P	50	16	20	8	2500	ø3-ø110	ø35-ø100	4.6
SC-06	167	66	130	147	45	5	3-M10x1.5P	65	19	23	10	2000	ø4-ø160	ø48-ø150	7.9
SC-07	193	76	155	172	58	5	3-M10x1.5P	75	22	28	11	2000	ø4-ø180	ø56-ø170	12.0
SC-08	203	76	160	176	58	5	3-M10x1.5P	75	22	28	11	2000	ø4-ø180	ø56-ø170	13.3
SC-09	233	84	190	210	70	5.5	3-M12x1.75P	85	24	34.5	12	2000	ø5-ø220	ø62-ø210	19.3
SC-10	273	86	230	250	89	5.5	3-M12x1.75P	98	28	39	12	1800	ø6-ø260	ø70-ø250	26.2
SC-12	310	96	260	285	105	7	3-M12x1.75P	110	30	45	14	1800	ø10-ø300	ø86-ø290	37.6
SC-16	405	122	345	375	160	8	6-M14x2P	146	40	56	15	1500	ø14-ø400	ø100-ø380	80.7

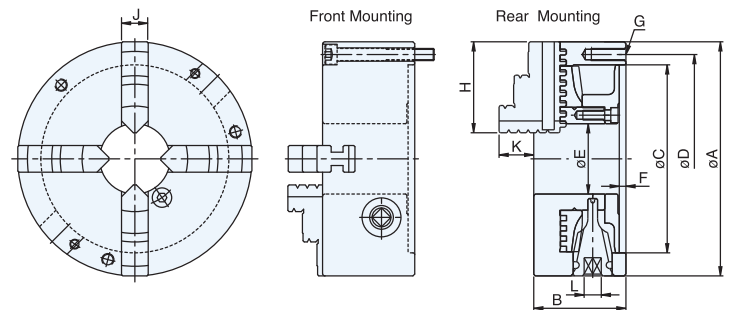
# PS

《 Scroll Chucks series 》

## 4-JAW SCROLL CHUCKS



### ■ DIMENSIONS



### ■ SPECIFICATIONS

UNIT:mm

MODEL / SPEC.	A	B	C	D	E	F	G	H	J	K	L	Max.Speed r.p.m.(min <sup>-1</sup> )	Max. Gripping Diameter		Weight (kg)
													O.D.Clamping	I.D.Clamping	
PS-07	193	76	155	172	58	5	3-M10x1.5P	75	22	28	11	2000	ø4-ø180	ø56-ø170	12.1
PS-09	233	84	190	210	70	5.5	3-M12x1.75P	85	24	34.5	12	2000	ø5-ø220	ø62-ø210	19.4
PS-12	310	96	260	285	105	7	3-M12x1.75P	110	30	45	14	1800	ø10-ø300	ø86-ø290	38.1
PS-16	405	122	345	375	160	8	6-M14x2P	146	40	56	15	1500	ø14-ø400	ø100-ø380	82.4