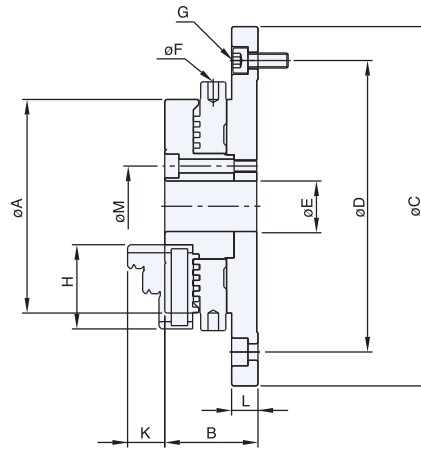
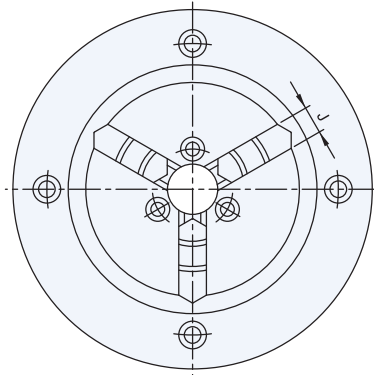


SUPER THIN CHUCKS



NEW

■ DIMENSIONS



SUPER THIN CHUCKS

1. By the compactness comes from " Light, Thin, Short, Small " designing concept; the chucks are most fitting to hold work pieces for measuring.
2. Just rotate the chuck knob directly for gripping and loosening, A handle is not necessary to be used.
3. Chuck body is made of very durable steel.
4. Jaws can be reversibly used; gripping of various sizes becomes much convenient.
5. 2" chucks can even grip up to the smallest size of 0.8mm.

■ SPECIFICATIONS

UNIT:mm

MODEL / SPEC.	A	B	C	D	E	F	G	H
SE-02	63	28	118	100	16	4	4-M5x0.8P	27
SE-03	85	37	143	116	20	4	4-M6x1P	35
SE-04	110	39	168	140	26	5	4-M6x1P	42
SE-05	130	45	202	168	32	6	4-M8x1.25P	50
SE-06	160	52	248	208	50	8	4-M10x1.5P	65

MODEL / SPEC.	J	K	L	M	Max. Gripping Diameter		Weight (kg)
					O.D. Clamping	I.D. Clamping	
SE-02	8	13	8	26	ø0.8~ø63	ø23~ø58	1.2
SE-03	11	15	10.5	32	ø1~ø81	ø31~ø70	2.9
SE-04	14	19	10	40	ø1~ø100	ø36~ø90	4.3
SE-05	16	21	11.5	49	ø1.5~ø116	ø43~ø106	6.2
SE-06	19	26	15	70	ø1.5~ø160	ø52~ø148	11.1