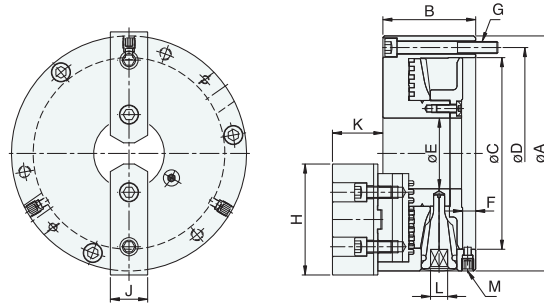


## 2-JAW POWERFUL TYPE ADJUSTMENT STEEL BODY CHUCKS



### ■ DIMENSIONS



### ■ SPECIFICATIONS

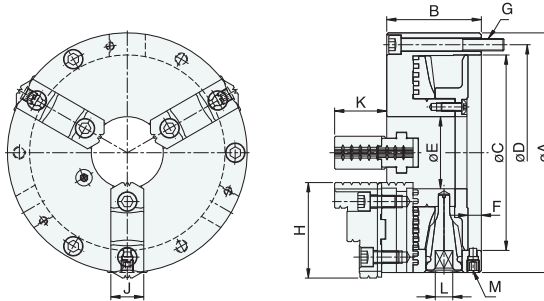
UNIT:mm

MODEL / SPEC.	A	B	C	D	E	F	G	H	J	K	L	M	Max.Speed r.p.m.(min <sup>-1</sup> )	Max. Gripping Diameter		Weight (kg)
														O.D.Clamping	I.D.Clamping	
TKT-06	167	75.5	130	147	45	12	3-M10x1.5P	73	26	40.5	10	3-M12x1.75P	4000	ø9~ø160	ø60~ø150	10.4
TKT-07	193	85	155	172	58	12	3-M10x1.5P	95	31	49.5	11	3-M12x1.75P	3500	ø10~ø180	ø70~ø170	14.6
TKT-09	233	92	190	210	70	12.5	3-M12x1.75P	110	37	50	12	3-M12x1.75P	2900	ø12~ø220	ø80~ø210	22.4

## 3-JAW POWERFUL TYPE ADJUSTMENT STEEL BODY CHUCKS



### ■ DIMENSIONS



### ■ SPECIFICATIONS

UNIT:mm

MODEL / SPEC.	A	B	C	D	E	F	G	H	J	K	L	M	Max.Speed r.p.m.(min <sup>-1</sup> )	Max. Gripping Diameter		Weight (kg)
														O.D.Clamping	I.D.Clamping	
KT-06	167	75.5	130	147	45	12	3-M10x1.5P	68	26	40	10	3-M12x1.75P	4000	ø8~ø160	ø55~ø150	9.7
KT-07	193	85	155	172	58	12	3-M10x1.5P	82	28	43	11	3-M12x1.75P	3500	ø8~ø180	ø62~ø170	13.6
KT-09	233	92	190	210	70	12.5	3-M12x1.75P	93	32	51	12	3-M12x1.75P	2900	ø11~ø220	ø70~ø210	21.5
KT-10	275	98	230	250	89	12.5	3-M12x1.75P	102	35	54	12	3-M12x1.75P	2500	ø12~ø260	ø80~ø250	30.4
KT-12	310	111	260	285	105	14	3-M12x1.75P	118	40	58	14	3-M12x1.75P	2200	ø15~ø300	ø90~ø290	45.4