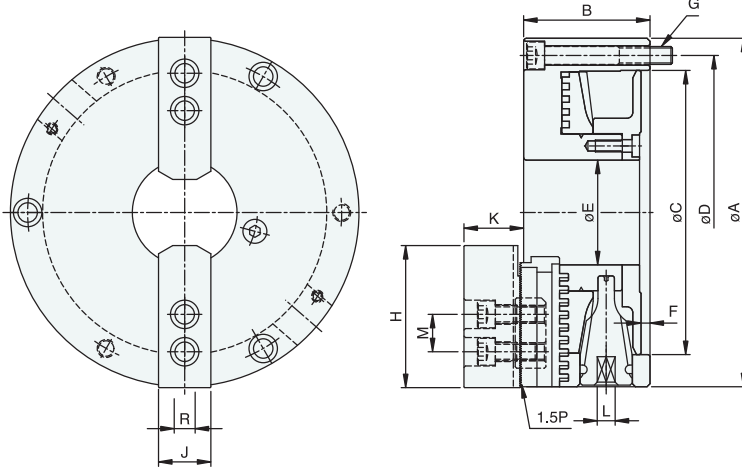


2-JAW STEEL BODY CHUCKS



■ DIMENSIONS



Steel body chucks :

1. Can be used as a "Forming plate" for machining soft jaws.
2. Hard jaws and soft jaws can be adjusted just like on a power Chuck to increase the gripping range.
3. Hard jaws as well as Soft jaws are interchangeable with those of power chucks.

ILLUSTRATE :

The chuck can be used as a "Forming plate" for machining soft jaws.



Hard jaws are interchangeable with those of power chucks.



■ SPECIFICATIONS

UNIT:mm

MODEL / SPEC.	A	B	C	D	E	F	G	H	J	K	L
TNT-07	193	78	155	172	58	5	3-M10x1.5P	73	31	38	11
TNT-09	233	85	190	210	70	5.5	3-M12x1.75P	95	35	40	12

MODEL / SPEC.	M	R	Max. Speed r.p.m.(min ⁻¹)	Max.Gripping Diameter		Weight (kg)
				O.D.Clamping	I.D.Clamping	
TNT-07	20	12	3200	ø8~ø235	ø66~ø235	14.4
TNT-09	25	14	2800	ø11~ø280	ø85~ø280	22.3