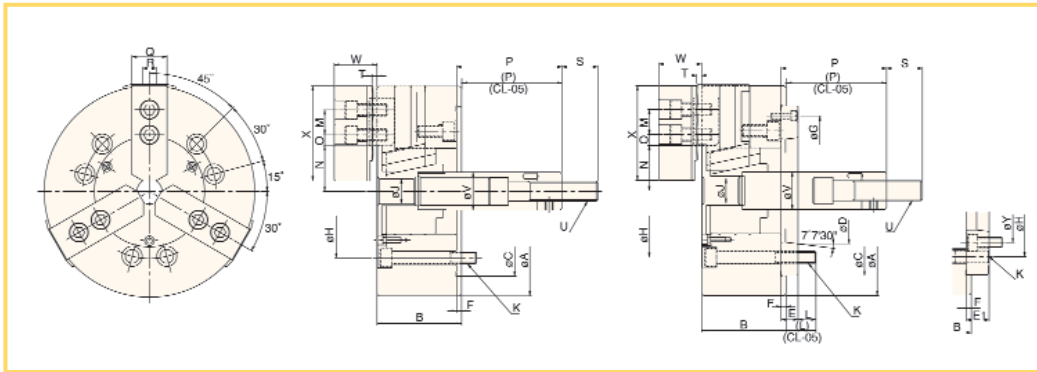


3 Jaw High Speed (CL Series) Solid Center Power Chucks



SPECIFICATIONS UNIT: mm

SPEC.	MODEL	CL-05	CL-06	CL-08	CL-10	CL-12	CL-15	CL-18
Jaw Stroke	diameter	6.4	8.5	8.8	8.8	10.5	16	16
Max Speed rpm	min ⁻¹	5500	5000	4600	4000	3200	2800	2500
Max Pull Force	kgf (kN)	800 (7.8)	1730 (17)	2440 (24)	2850 (28)	4080 (40)	8260 (81)	8260 (81)
Max Gripping Force	kgf (kN)	2450 (24)	5200 (51)	7440 (73)	10810 (106)	15500 (152)	25290 (248)	25290 (248)
Weight	kg	6	11.4	21.9	33.4	58.5	100.6	-
Gripping Range	diameter	ø8~ø135	ø18~ø165	ø12~ø210	ø16~ø254	ø18~ø304	ø68~ø381	ø85~ø450
Plunger Stroke		15	20	21	25	30	35	35
Nose of Spindle		A2-4	A2-5	A2-6 (A2-5)	A2-8 (A2-6)	A2-8	A2-11	A2-11
Applicable Cylinder		RNKP105-15	RNKP120-25	RNKP120-25	RNKP120-25	RNKP150-35	RNKP150-35	RNKP150-35
A		135	165	210	254	304	381	450
B		55	74	85	89	106	114	114
C	h6	80	140	170	220	220	300	300
D		63.513	82.563	106.375	139.719	139.719	196.869	196.869
E		-	15	17	18	18	22	22
E1		-	-	23	28	-	-	-
F		7	5	5	5	6	6	6
G		-	116	150	190	190	260	260
H		100	104.8	133.4	171.4	171.4	235	235
J		-	21	25	34	34	-	-
K		3-M8 x 1.25P	6-M10 x 1.5P	6-M12 x 1.75P	6-M16 x 2P	6-M16 x 2P	6-M20 x 2.5P	6-M20 x 2.5P
L		14	14	18	25	25	32	32
M		14	20	25	30	30	43	43
N	max / min	30.4 / 27.2	37.8 / 33.25	46.3 / 41.9	51.4 / 47	60.7 / 55.45	77.5 / 69.5	108 / 100
O	max / min	17 / 7	18 / 7.5	22.5 / 9	37.5 / 10.5	47 / 11	50.25 / 23.25	49.5 / 25.5
P	max / min	9 / -6	101.5 / 81.5	127 / 106	158 / 133	163 / 133	104 / 69	92 / 57
Q		25	31	35	40	50	62	62
R		10	12	14	16	18	25.5	25.5
S		35	36	36	36	36	55	55
T		2	4	5	5	5	2	2
U		M12 x 1.75P	M16 x 2P	M20 x 2.5P	M20 x 2.5P	M20 x 2.5P	M30 x 3.5P	M30 x 3.5P
V		28	34	38	45	50	60	60
W		31	39	42	46	54	63	63
X		62	73	95	110	130	165	165
Y		-	-	-	104.8	133.4	-	-