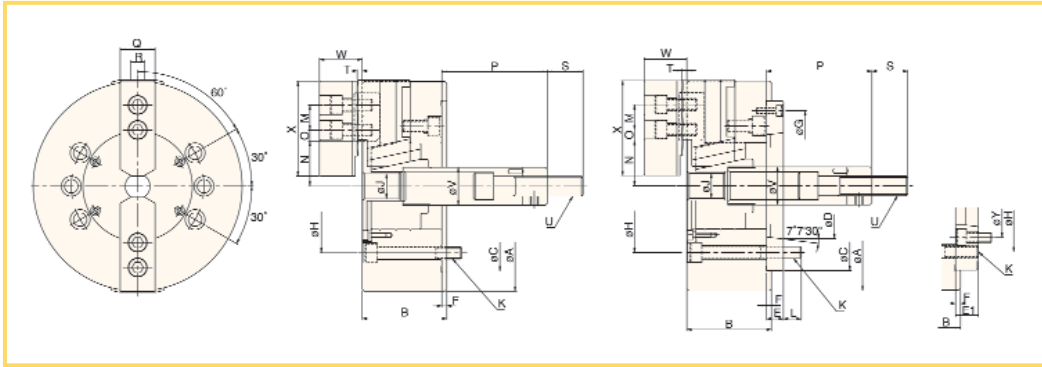


2 Jaw High Speed (CLT Series) Solid Center Power Chucks



SPECIFICATIONS

UNIT: mm

SPEC.	MODEL	CLT-06	CLT-08	CLT-10	CLT-12
Jaw Stroke	diameter	8.5	8.8	8.8	10.5
Max Speed rpm	min ⁻¹	5000	4000	3500	3000
Max Pull Force	kgf (kN)	1220 (12)	1630 (16)	1930 (19)	2750 (27)
Max Gripping Force	kgf (kN)	3460 (34)	4990 (49)	7140 (70)	10300 (101)
Weight	kg	11.1	21.3	32.6	57.0
Gripping Range	diameter	ø9~ø165	ø12~ø210	ø15~ø254	ø20~ø304
Plunger Stroke		20	21	25	30
Nose of Spindle		A2-5	A2-6 (A2-5)	A2-8 (A2-6)	A2-8
Applicable Cylinder		RNKP120-25	RNKP120-25	RNKP120-25	RNKP150-35
A		165	210	254	304
B		74	85	89	106
C	h6	140	170	220	220
D		82.563	106.375	139.719	139.719
E		15	17	18	18
E1		-	23	28	-
F		5	5	5	6
G		116	150	190	190
H		104.8	133.4	171.4	171.4
J		21	25	34	34
K		6-M10 x 1.5P	6-M12 x 1.75P	6-M16 x 2P	6-M16 x 2P
L		14	18	25	25
M		20	25	30	30
N	max / min	37.8 / 33.25	46.3 / 41.9	51.4 / 47	60.7 / 55.45
O	max / min	15.1 / 9.1	22.1 / 10.1	30.6 / 9.6	48.6 / 12.6
P	max / min	101.5 / 81.5	127 / 106	158 / 133	163 / 133
Q		31	35	40	50
R		12	14	16	18
S		36	36	36	36
T		4	5	5	5
U		M16 x 2P	M20 x 2.5P	M20 x 2.5P	M20 x 2.5P
V		34	38	45	50
W		39	42	46	54
X		73	95	110	130
Y		-	104.8	133.4	-