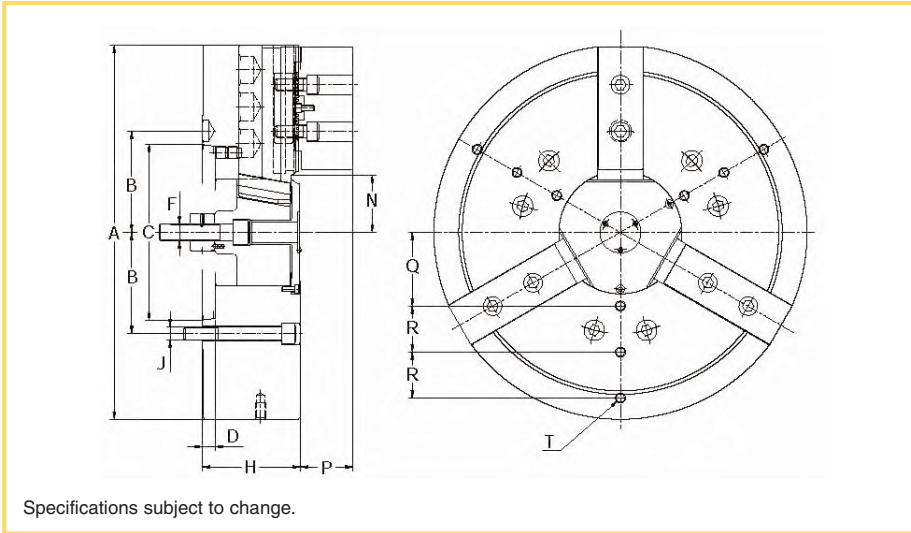


3 Jaw High Speed (HHA Series) Solid Center Power Chucks



Specifications subject to change.

SPECIFICATIONS UNIT: mm

SPEC.	MODEL	HHA11-21	HHA11-24	HHA15-28	HHA15-32	HHA15-36	HHA15-40
Max Speed	min ⁻¹	1250	1100	1075	940	830	750
Stroke of Jaw	(mm in dia)	12	12	17.5	17.5	17.5	17.5
Shifter Stroke		35	35	50	50	50	50
Chucking Diameter	max	479.7	548.1	640	731.7	820	914.4
	min	71	133.4	135	134.8	134.8	134.8
Gripping Force	kN	196	196	245	245	245	245
	kgf	20000	20000	25000	25000	25000	25000
Max Draw-Pull	kN	71.2	71.2	88.2	88.2	88.2	88.2
	kgf	7267	7267	9000	9000	9000	9000
Weight	kg	275	350	635	440	650	845
GD ²	N*m ²	378.28	617.4	1572.9	1421	2655.8	4272.8
	kgf*m ²	38.6	63	160.5	145	271	436
Applicable Cylinder		RNKP200-50	RNKP200-50	RNKP200-50	RNKP200-50	RNKP200-50	RNKP200-50

SIZE	MODEL	HHA11-21	HHA11-24	HHA15-28	HHA15-32	HHA15-36	HHA15-40
A		533	609	711	813	914	1016
B		117.5	117.5	165.1	165.1	165.1	165.1
C		A11	A11	A11	A15	A15	A15
D		19.5	19.5	21	21	21	21
F		M27 x P3.0	M27 x P3.0	M30 x P3.5	M30 x P3.5	M30 x P3.5	M30 x P3.5
H		160	160	200	200	200	200
J		6-M20	6-M20	6-M22	6-M22	6-M22	6-M22
N	max	93	93	97	97	97	97
	min	87	87	88.3	88.3	88.3	88.3
P		85.8	85.8	85.8	85.8	85.8	85.8
Q		120	120	120	120	120	120
R		75	75	75	75	75	75
T		6-M16 x 25DP	9-M16 x 25DP	9-M16 x 25DP	12-M16 x 25DP	15-M16 x 25DP	15-M16 x 25DP