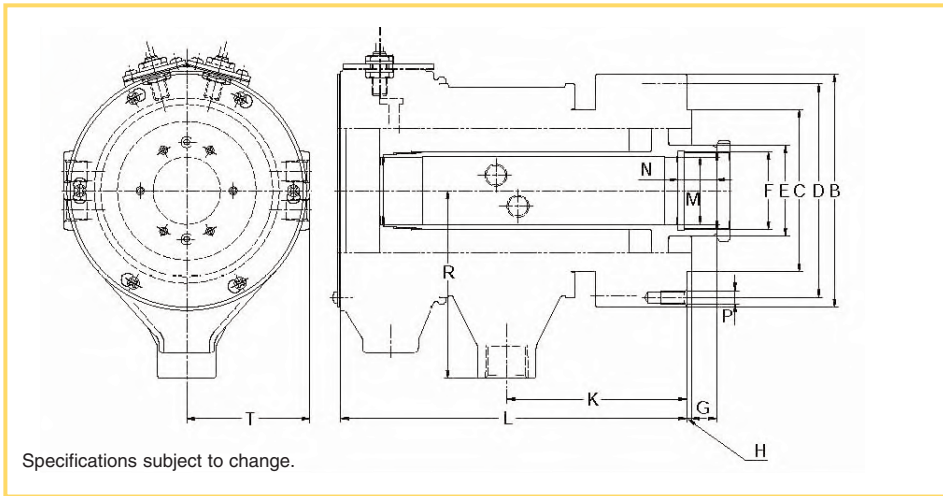


High Speed Large Bore (ZKP Series) Thru-Hole Rotating Hydraulic Cylinders



■ SPECIFICATIONS UNIT: mm

SPEC.	MODEL	ZKP150/66-17	ZKP170/82-20	ZKP205/105-20	ZKP295/184-30	ZKP335/203-30	ZKP400/230-30	ZKP385/267-30	
Max Speed	min ⁻¹	5300	4500	3400	1250	750	575	575	
Max Pressure	MPa	2.94	2.94	3.45	2.94	2.45	3.43	3.43	
	kgf/cm ²	30	30	35	30	25	35	35	
Piston Area	Push cm ²	126.4	156.1	220.7	369.3	518.3	745.9	359.7	
	Pull cm ²	119.9	145.3	197.3	337.1	501.2	705	282.6	
Draw Pull	Push	kN	33.4	41.3	71.9	97.8	114.3	230.3	111.1
		kgf	3413	1458	7338	9971	11662	23495	11330
	Pull	kN	31.7	38.45	64.3	89.3	110.5	217.6	87.3
		kgf	3237	3920	6560	9102	11277	22207	8902
Thru-Hole	diameter	66	82	105	184	204	230	267	
Stroke of Piston		17	20	20	30	30	30	35	
Weight	kg	27	40	55	180	195	380	477	
GD ²	N*m ²	3.72	6.57	16.7	104.9	98.98	297.92	308	
	kgf*m ²	0.38	0.67	1.7	10.7	10.1	30.4	31.4	

SIZE	MODEL	ZKP150/66-17	ZKP170/82-20	ZKP205/105-20	ZKP295/184-30	ZKP335/203-30	ZKP400/230-30	ZKP385/267-30
B		183	215	250	345	385	470	500
C		125	125	180	280	280	315	380
D		165	185	225	320	355	432	465
E		85	102	130	210	230	265	335
F		M72 x P1.5	M90 x P1.5	M115 x P2.0	M195 x P3.0	M215 x P3.0	M245 x P3.0	M300 x P4.0
G	max	19	21	23	35	35	35	47
	min	2	1	3	5	5	5	12
H		4	4	7	7	7	7	10
K		139	177.5	189	237	272	297	317
L		295.1	350.5	369.5	483.5	556	648	696
M		66	82	105	184	204	230	267
N		35	35	35	45	45	45	45
P		12-M10 x 20DP	6-M10 x 20DP	12-M12 x 24DP	12-M16 x 32DP	12-M12 x 25DP	12-M20 x 40DP	12-M20 x 40DP
R		160	185	195	305	360	265	413
T		105	120	128	212	227	250	305.5