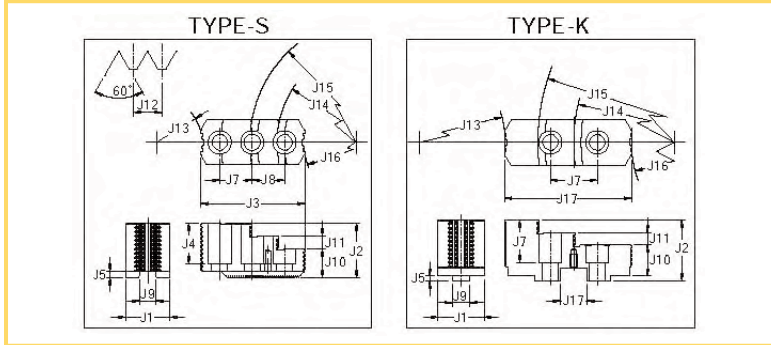


Hard Jaws (PC-Series, includes T-Nut)

Type-S for PC, Z and H, Type-K for HHA and HH6JA



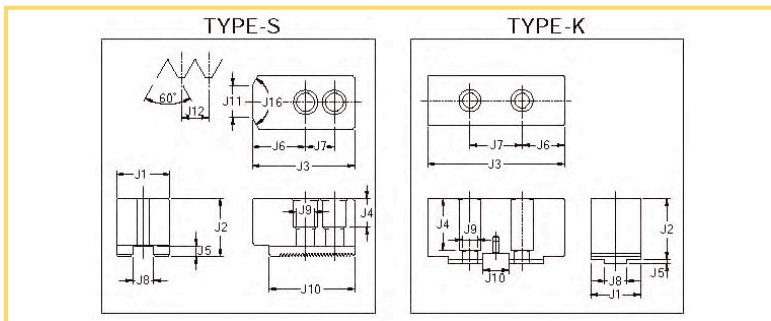
SPECIFICATIONS

UNIT: mm

JAW TYPE	CHUCK SIZE	REFERENCE NUMBER	J1	J2	J3	J4	J5	J7	J8	J9	J10	J11	J12	J13	J14	J15	J16	J17	SET BOLT	APPLICABLE MODEL
S	6	3606059	32	36	72.2	27	4	16	16	11	18	9	1.5	R37	R58.5	R80	-	-	M8	HA,ZA
	8	3608040	40	48	90.6	35	4	20	20	14	26	11	1.5	R46	R73.5	R101	-	-	M12	HA,ZA
	10,11	3610042	45	56	100.5	40	6	25	25	16	30	13	1.5	R61.5	R93.5	R125.5	-	-	M12	HA,ZA
	12	3612030	50	62	111.5	45	6	30	30	18	32	15	1.5	R78	R114	R150	-	-	M14	HA,ZA
	15,18	3615044	62	66.5	144.4	56	8.5	50	-	22	40	17.5	3	R62.5	R137.5	R175	R100	-	M20	HA,ZA
K	21-40	3228004	73	95.3	141	75.8	6.3	76.2	-	31.75	38.2	25.4	-	R235	R289	R340	R235	38.88	M20	HHA

Soft Jaws (PC-Series)

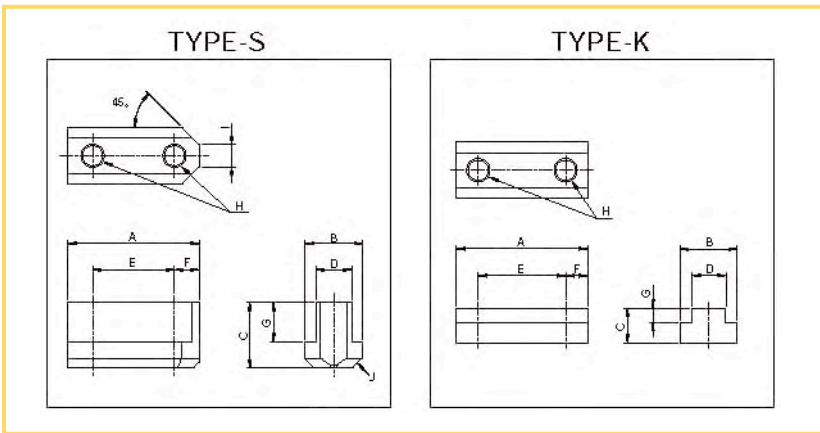
Type-S for PC, Z and H, Type-K for HHA and HH6JA



SPECIFICATIONS

UNIT: mm

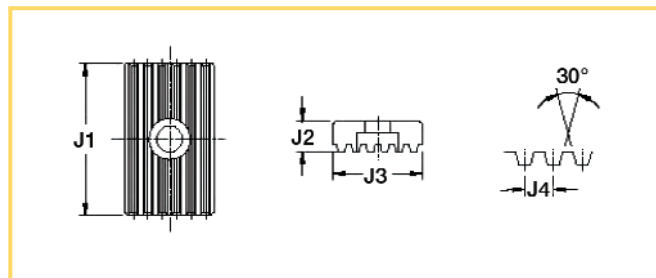
JAW TYPE	CHUCK SIZE	REFERENCE NUMBER	J1	J2	J3	J4	J5	J6	J7	J8	J9	J10	J11	J12	J16	SET BOLT	APPLICABLE MODEL
S	4,5	4605027	23	28	50	14	5	26	14	10	9	42	6	1.5	120°	M8 x 28	H
	6	62061640	27	30	70	20	5	33	25	11	9	51	5	1.5	120°	M8 x 25	ZA
	8	62080904	34	40	79	25	5	39	25	14	13	58	15	1.5	120°	M12 x 32	ZA
	10,11	60100301	40	42	110	27	5	50	30	16	13	75	16	1.5	120°	M12 x 32	ZA
	12	4612165	46	50	112	33	6	52	30	18	15	90	25	1.5	120°	M14 x 40	ZA
	15,18	3615102	58	62	140	43	8.5	60	50	22	22	120	58	3	-	M20 x 50	ZA
K	21-40	3624011	73	95.3	200	75.8	6.3	61.9	76.2	31.75	22	38.88	-	-	-	M20	HHA
	28-40	3632006	80	95.3	200	75.8	6.3	61.9	76.2	31.75	22	38.88	-	-	-	M20	HHA



■ SPECIFICATIONS UNIT: mm

TYPE	CHUCK SIZE	REFERENCE NUMBER	A	B	C	D	E	F	G	H	J	I	SOFT OR HARD JAWS	APPLICABLE MODEL
S	4,5	4604012	26	17	19	10	14	6	12	M8	C3	4	Soft Jaws	Z, H, HH
	6	60060002	40	17.5	20	11	25	7.5	12.5	M8	C3	7	Soft Jaws	Z, H, HH
		4606067	31	17.5	20	11	16	7.5	12.5	M8	C3	7	Hard Jaws	Z, H, HH
	8	60080002	45	20	23	14	25	10	14.5	M12	C4	10	Soft Jaws	Z, H, HH
		4608090	40	20	22	14	20	10	13.5	M12	C4	10	Hard Jaws	Z, H, HH
	10	60100002	50	23	23	16	30	10	15	M12	C4	15	Soft Jaws	Z, H, HH
		4610066	45	23	23	16	25	10	15	M12	C4	15	Hard Jaws	Z, H, HH
	12	6012002	54	29	30	18	30	12	16	M14	C6	15	Soft & Hard Jaws	Z, H, HH
15,18, 22	60150102	80	34	39.5	22	50	15	20	M20	C6	12	Soft & Hard Jaws	Z, H, HH	
K	21, 24-40	4228006	114.2	40	30.2	30	76.2	19	17.5	M20	C1	-	Soft & Hard Jaws	H, HH

Master Key For K-Type Jaw



■ SPECIFICATIONS UNIT: mm

MODEL/ SPEC.	A	B	C	APPLICABLE MODEL
4632002	72	38.88	6	HHA
4624014	72	38.88	6.35	--
4624018	63	37	6	HH6J
4615081	49	16	2.5	--
4228005	72	38.88	6.35	--
4650003	79	38.88	6.35	--
4618025	63	37	6	--