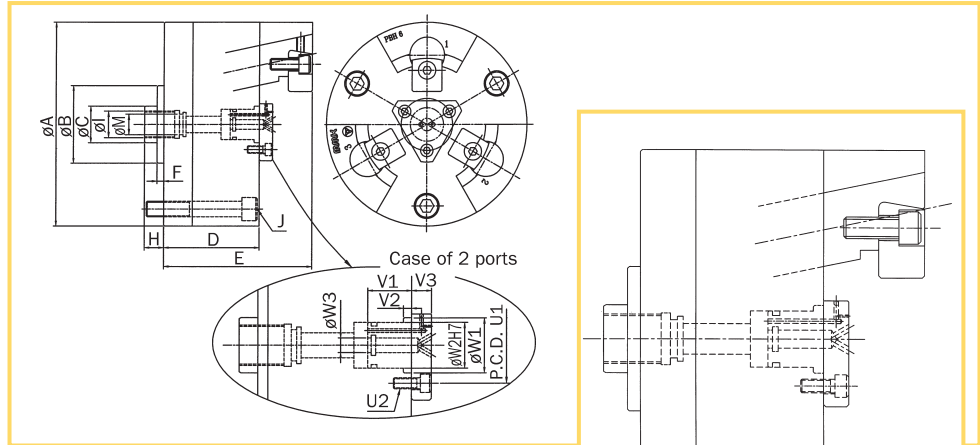
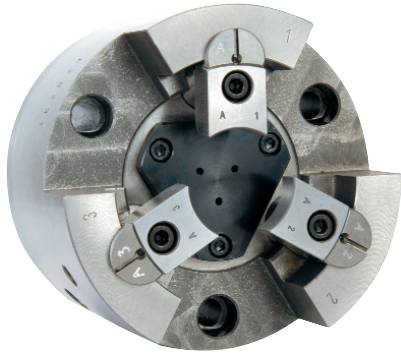
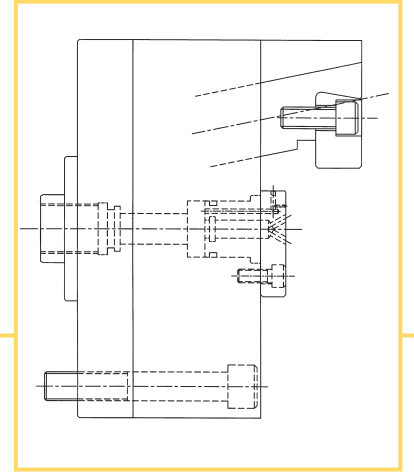


3 Jaw (PBH Series) Pin Arbor Chucks



The PBH Chuck holds round workpieces with flat surfaces and features pull down movement against a specific hard stop. This chuck additionally features standoffs behind the chuck jaws. The result...it gives the chuck added rigidity and greater support so longer parts will not flex during machining, especially important in higher speed machining.

The PBH Chuck is offered standard in 5", 6", 8", 10", 12" and 15" sizes. It can be supplied with air or coolant through the chuck, or both air and coolant.

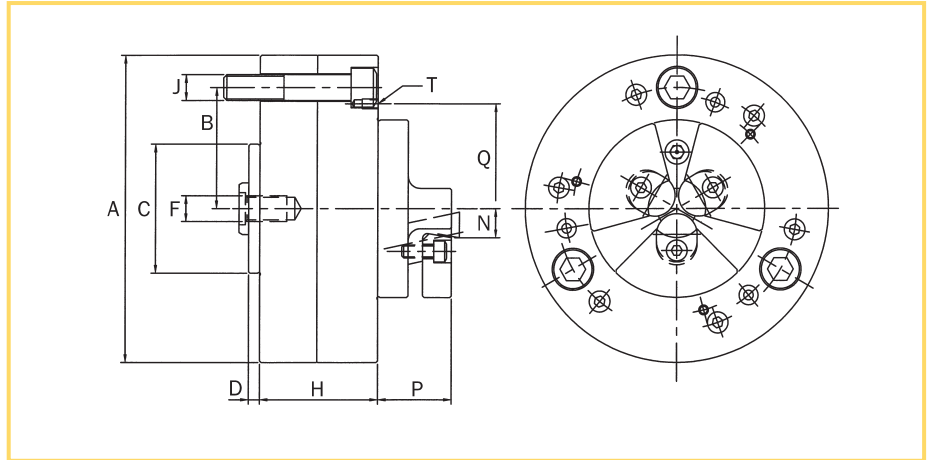


SPECIFICATIONS

UNIT: mm

SPEC.	MODEL	PBH-5	PBH-6	PBH-8	PBH-10	PBH-12	PBH-15
Jaw Stroke		3.4	4.2	4.2	4.2	4.2	4.2
Clamping Diameter-Standard		65-80	86-100	120-140	150-180	190-230	240-290
Clamping Diameter-Hard Type		15-60	20-80	60-110	100-145	120-200	220-280
Gripping Force	kgf	5500	9400	11,700	14,000	18,000	18,000
Ma Draw Pull	kgf	1200	2000	2500	3000	4000	4000
Max Rotation Speed	rpm	7000	6000	4500	3200	2500	2000
GD ²	kg-m ²	0.067	0.2	0.54	1.43	3.5	10.4
Applicable Cylinder		2R105-25	2R105-25	2R120-25	2R120-25	2R150-35	2R150-35
A		130	162	210	250	320	400
B	h6	60	80	80	80	ASA#8	380
C		24	32	40	45	50	60
D		72	90	100	110	130	137
E		103	130	155	165	200	241
F		5	7	7	7	7	7
G		20	30	30	30	40	40
H	max	18	20	25	25	30	25
I		M20 x P1.5	M25 x P1.5	M25 x P1.5	M28 x P1.5	M32 x P1.5	M42 x P1.5
J		3-M8 PCD 100	3-M12 PCD 130	3-M16 PCD 175	3-M16 PCD 210	6-M16 PCD 171.4	3-M24 PCD 330.2
L		104.5	123.3	147.1	147.1	163.4	163.4
M		16	20	20	21	23.5	33.5
U1		28	60	60	66	70	80
U2		3-M5	3-M5	3-M8	3-M8	3-M8	3-M8
V1		25	28	28	28	28	28
V2		5	5	5	5	5	5
V3		10	12	12	12	12	12
W1		16	35	40	40	50	60
W2		16	25	26	26	36	46
W3		5	8	8	8	8	8

3 Jaw (PBN Series) Pin Arbor Chucks



Our PBN Chuck is our pin arbor model suited to handle ID gripping of ring shaped parts. It can be supplied with air or coolant through the chuck, or both air and coolant. The PBN Chuck is offered standard in 6" and 8" sizes. It can be supplied with air, coolant through the chuck, or both air and coolant.

■ SPECIFICATIONS

UNIT: mm

SPEC.	MODEL	PBN-6	PBN-8
Jaw Stroke	diameter	4.2	5.5
Pin Stroke		10	10
Clamping Diameter		27-121	60-189
Gripping Force	kgf	2700	4500
Max Draw Pull	kgf	1500	2500
Max Rotation Speed	rpm	3000	4500
GD ²	kg-m ²	0.29	0.66
Weight	kg	16	28
Applicable Cylinder		2R105/21-25	2R120/21-25
A		190	210
B		PCD 150	PCD 133.4
C		80	190
D		7	5
F		M16 P2.0	M20 P2.5
H		74	95
J		3-M16	6-M12
N	max	19.05	46.6
N	min	16.95	43
P	max	51	54
P	min	41	44
Q		130	165
T		3-M6 x 12	6-M10 x 20