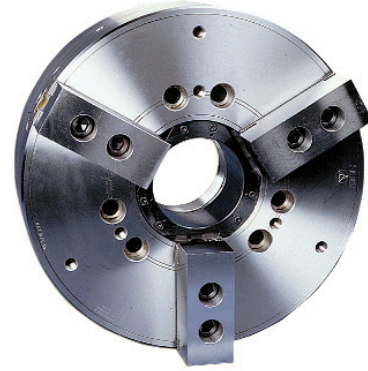
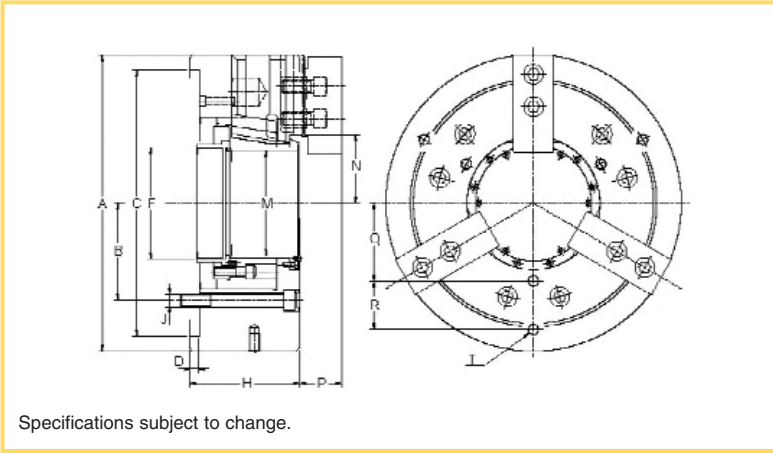


3 Jaw Large Bore (Z & H Series) Thru-Hole Power Chucks



SPECIFICATIONS

UNIT: mm

SPEC.	MODEL	Z-6-52B	Z-8-66B	Z-10-82B	Z-12-105B	Z-18-165B	H-21-184B	H-22-203	Z-24-203	HA20-24-267
Max Speed rpm	min ⁻¹	7500	5000	4500	3200	2000	1250	1100	1400	575
Thru-Hole	diameter	52	66	82	105	165	184	203	203	267
Stroke of Jaw	(mm in dia)	5.8	7.6	6.4	9.0	11.3	9.5	9.5	13.5	18
Shifter Stroke		13	17	20	20	25	30	30	30	35
Chucking Diameter	max	152	203	229	275	411	478	503	548	548
	min	20	36	69	55	123	117	143	150	183
Gripping Force	kN	63.7	78.4	107.8	137.2	176.4	186.3	186.2	226.5	107.8
	kgf	6500	8000	11000	14000	18000	19000	19000	23100	11000
Max Draw-Pull	kN	25.5	30.38	36.44	59.78	68.6	77.47	77.4	88.3	67.3
	kgf	2600	3100	3718	6100	7000	7900	7900	9000	6867
Weight	kg	14	25.3	39	67	180	295	310	460	428
GD ²	N*m ²	1.96	5.78	13.13	32.3	208.3	410.9	474.3	929	892.3
	kgf*m ²	0.2	0.59	1.34	3.3	21.3	41.9	48.4	94.8	91
Applicable Cylinder		ZKP150/52-17	ZKP150/66-17	ZKP170/82-20	ZKP205/105-20	ZKP280-165-30	ZKP295/184-30	ZKP335/203-30	ZKP335/203-30	ZKP385/267-35

SIZE	MODEL	Z-6-52B	Z-8-66B	Z-10-82B	Z-12-105B	Z-18-165B	H-21-184B	H-22-203	Z-24-203	HA20-24-267
A		170	215	254	315	457	533	559	609	609
B		65	75	90	110	150	184.2	184.2	231.8	231.8
C		140	170	225	250	410	410	410	518	A2-20 TAPER
D		7	7.5	10	7	15	25	25	15	23
F		M60 x P2.0	M72 x P1.5	M90 x P2.0	M115 x P2.0	M175 x P3.0	M195 x P3.0	M215 x P3.0	M215 x P3.0	M285 x P3.0
H		75	92	108	104	165	195	195	207	215
J		6-M10	6-M12	6-M16	6-M16	6-M20	6-M24	6-M24	6-M24	6-M24
M		52	66	82	105	165	184	203	203	267
N	max	35.5	46.5	54.5	70	102	114.5	127.5	128	165
	min	32.6	42.7	51.3	65.5	96.4	109.8	122.8	121.3	156
P		29	42	44	54	65	80.5	80.5	83	85.8
Q		45	60	80	85	120	157	170	200	200
R		25	25	30	45	75	75	75	75	75
T		6-M8 x 12DP	6-M8 x 15DP	6-M12 x 18DP	6-M16 x 18DP	6-M16 x 25DP	6-M16 x 30DP	6-M16 x 30DP	6-M16 x 25DP	6-M16 x 25DP