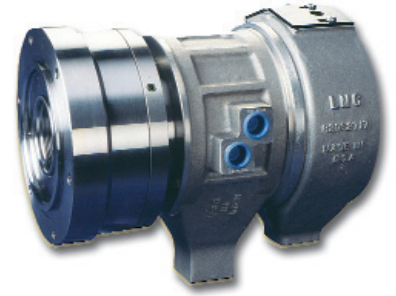
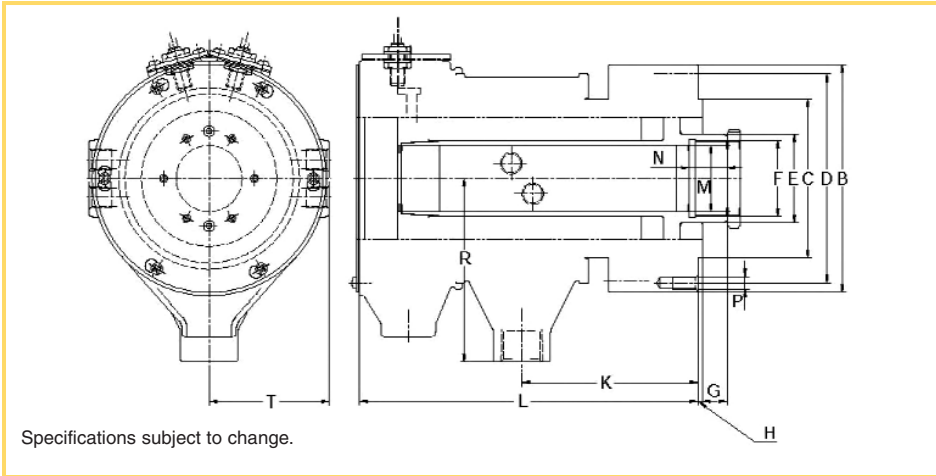


High Speed (ZKP Series)

Thru-Hole Rotating Hydraulic Cylinders



SPECIFICATIONS UNIT: mm

SPEC.	MODEL	ZKP100/34-10	ZKP125/46-13	ZKP150/52-17	ZKP170/78-20	ZKP195/93-20	ZKP230/120-30	ZKP280/165-30	
Max Speed rpm	min ⁻¹	8000	7100	6300	5000	4000	3400	2400	
Max Pressure	MPa	2.94	2.94	2.94	3.43	3.43	2.94	2.94	
	kgf/cm ²	30	30	30	35	35	30	30	
Piston Area	Push cm ²	65.97	99.82	148.4	170.2	211.95	282.7	332.2	
	Pull cm ²	60.44	89.53	138.2	156.1	194.68	250.3	317.1	
Draw Pull	Push	kN	17.5	26.4	39.3	52.5	65.4	71.8	87.69
		kgf	1781	2695	4007	5361	6676	7633	8969
	Pull	kN	16	23.7	36.6	48.2	60.1	66.2	83.9
		kgf	1632	2417	3731	4917	6132	6758	8562
Thru-Hole	diameter	34	46	52	78	93	120	165	
Stroke of Piston		10	13	17	20	20	30	30	
Weight	kg	14	18	26	33	46.5	65	155	
GD ²	N*m ²	0.59	1.08	3.92	4.12	12.74	19.6	80.95	
	kgf*m ²	0.06	0.11	0.4	0.42	1.3	2	8.26	

SIZE	MODEL	ZKP100/34-10	ZKP125/46-13	ZKP150/52-17	ZKP170-78-20	ZKP195/93-20	ZKP230/120-30	ZKP280/165-30
B		135	160	180	213	240	270	330
C		80	80	125	145	180	165	220
D		115	140	165	185	215	250	305
E		48	65	70	95	115	145	195
F		M40 x P1.5	M55 x P1.5	M60 x P1.5	M85 x P2.0	M103 x P2.0	M130 x P2.0	M175 x P3.0
G	max	13	15	19	22	21	32	35
	min	3	2	2	2	1	2	5
H		4	4	4	4	7	7	7
K		121	131.5	139	167.5	187	207.5	228
L		239	251.5	267.5	325	367.5	396.5	467.5
M		34	46	52	75	93	120	165
N		25	30	30	35	35	40	45
P		6-M8 x 16DP	12-M10 x 20DP	6-M10 x 20DP	6-M10 x 20DP	6-M12 x 24DP	12-M12 x 24DP	12-M16 x 32DP
R		110	140	145	160	190	230	305
T		40	85	95	105	128	140	199